

Fax Receiver to E-Mail Document Converter

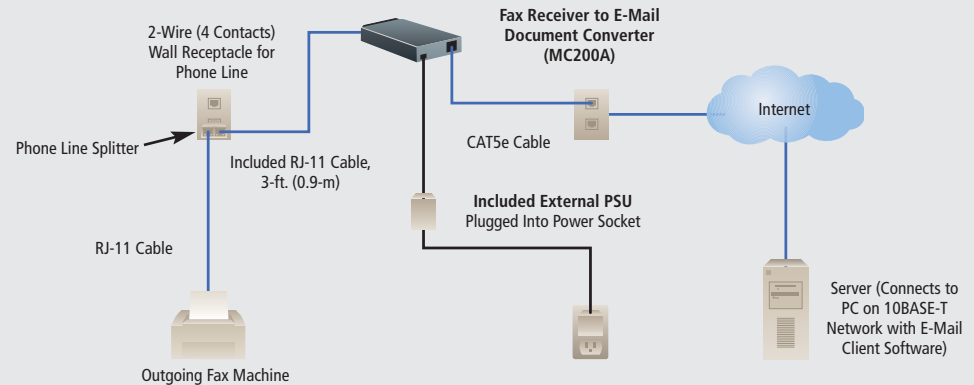


**Documents meant for your fax machine
go to your computer mailbox instead!**

FEATURES

- Connects directly to a phone line and to your Ethernet network.
- Converts fax to e-mail, then sends it to your mailbox as a GIF file.
- Eliminates the need to have a fax machine to solely receive faxes.
- Reduces paper waste and speeds up the communication of information in an office environment.
- Remote manageable from any PC.
- Extremely low power consumption.
- Receives Group III/CCITT-1 fax documents.
- Accepts and converts up to 17" paper length per page.
- Supports standard and fine modes.
- Includes fax viewer and print application software for Windows.
- Also has PCMCIA modem card and RJ-11 cable for phone line connection.

Install the converter next to an outgoing fax machine on the incoming line.



OVERVIEW

Make your fax machine an integrated part of your office network with the BLACK BOX® Fax Receiver to E-Mail Document Converter. This device enables you to convert fax communications to e-mail communications automatically!

The converter connects directly to a phone line and an Ethernet or a Fast Ethernet network, and once configured, converts each incoming fax as an e-mail and directs it automatically to your e-mail client mailbox. From there, you can read and route it to the appropriate recipient on your network or print it.

Stop the paper waste.

If you work in an office inundated with junk faxes on a daily basis, or simply want to trim consumable expenses wherever possible, then you can recognize how much money this converter will save you. You'll not only extend the life of the fax machine itself, but you'll have to replace fax paper and toner a lot less often.

As you know, the cost of consumables quickly adds up. Many offices receive on average 20 "spam" faxes per day. And, at a cost of 7 cents per page, that means you could be spending \$500 a year on paper alone! By using the Fax Receiver to E-Mail Document Converter, you not only reduce "dead tree" waste—by printing only what you need to print, instead of having a fax machine that prints every document received—but you'll likely see a quick ROI, quite possibly in less than a year!

And if your office has a fax machine for both incoming and outgoing faxes, the Fax Receiver to E-Mail Document Converter may be what you need to eliminate that incoming machine altogether—thereby saving you in extra maintenance costs. The highly reliable converter has no moving parts to maintain, and it has very low power consumption.

Stop the paper chase.

Just think of how much more efficient your work processes will be with the Fax Receiver to E-Mail Document Converter in place. With no reason to run back and forth to and from the fax machine, you'll make better use of your time. And because faxes in the queue are sent to you automatically, you won't waste time waiting for important faxes at the machine while junk faxes are printing.

You'll be able to handle it all while seated at your computer. When a fax is received, the converter decodes the fax and sends it to the mail server as an e-mail with the converted page attached as a GIF file. An included image viewer application enables you to view the GIF file itself.

If it's a junk fax reformatted and e-mailed to your computer, simply hit your e-mail program's Delete button to get rid of it. But if it's worth saving—for instance, a document that you want to share with your colleagues or clients—you can redistribute the entire converted fax e-mail or input it into another application.

The converter can receive low-resolution (standard mode) or high-resolution (fine mode) image data, and it accepts up to 17" paper length per page.

It also brings greater security to your fax communications. The Fax Receiver to E-Mail Document Converter can be located in a separate, locked room where telco wiring enters the building, an area where there's less of a risk of equipment tampering. Plus, you no longer have to worry about confidential documents being received on a fax machine and left sitting in the tray, where they can be viewed by an entire department or even stolen.



No complex configuration required.

The converter's setup is quick and simple. It includes a plug-in PCMCIA modem card and an RJ-11 cable and adapter that links the modem card to your office phone jack. You can also plug the converter into a phone splitter and even daisychain it from an outgoing fax machine if necessary.

For the network interface, the converter has an RJ-45 jack for making direct connections to a 10BASE-T/100BASE-T network via fixed IP or DHCP protocols.

Before operation, just set a few parameters to support the company's or ISP's mail server login. It supports CRAM-MD5, LOGIN (AUTH+LOGIN), and non-authenticated e-mail login types.

Because the device relies on TCP/IP and SMTP e-mail protocols, it will work in any common network environment. It can be used with Windows®, Macintosh® OS X, or UNIX® systems, and it offers remote management via Telnet™ with login and password protection. Any workstation with Telnet capabilities and network access can be used to configure the converter.

Set it up only once, and it runs for a lifetime without any further maintenance. Configurable settings are stored permanently in flash memory, and the converter powers up in less than 10 seconds.

LED indicators inform you of the converter's activity: a yellow Link LED indicates that it's connected to a LAN connection; a red Transmit LED blinks when the device is sending a data packet (when a fax is received and the destination e-mail

address has been sent an e-mail); and the green Receive LED blinks when it's receiving LAN data packets and has detected LAN activity.

Because the device converts incoming facsimile signals and forwards them directly from the phone line to a mail box of a mail server, there's no separate document database to set up and maintain. If your mail server allows it, you can even set it up to copy more than one person. For record-keeping purposes, you can keep a copy of every fax received.

TECH SPECS

Approvals — CSA and UL®

Fax Standards — V.17 Group III

Network — Ethernet 10BASE-T or Fast Ethernet 100BASE-T

CE Approval — Yes

Connectors — Network: (1) RJ-45;

PSTN: (1) RJ-11 on included 3-ft. (0.9-m) cable that connects to the included PCMCIA faxmodem

Indicators — LEDs: Link (LK), Transmit (TX), Receive (RX)

Power — Input: 100–240 VAC, 47–63 Hz, autosensing, external;

Output: 5 VDC, 2.5 A;

Consumption: < 5 watts

Size — 1.8"H x 3"W x 7.5"D (4.6 x 7.6 x 19.1 cm)

Weight — 0.5 lb. (0.2 kg)

Item	Code
Fax Receiver to E-Mail Document Converter	MC200A

Why Buy From Black Box? Exceptional Value. Exceptional Tech Support. Period.

Recognize any of these situations?

- You wait more than 30 minutes to get through to a vendor's tech support.
- The so-called "tech" can't help you or gives you the wrong answer.
- You don't have a purchase order number and the tech refuses to help you.
- It's 9 p. m. and you need help, but your vendor's tech support line is closed.

According to a survey by Data Communications magazine, 90% of network managers surveyed say that getting the technical support they need is extremely important when choosing a vendor. But even though network managers pay anywhere from 10 to 20% of their overall purchase price for a basic service and support contract, the technical support and service they receive falls far short of their expectations—and certainly isn't worth what they paid.

At Black Box, we guarantee the best value and the best support. You can even consult our Technical Support Experts before you buy if you need help selecting just the right component for your application.

Don't waste time and money—call Black Box today.