



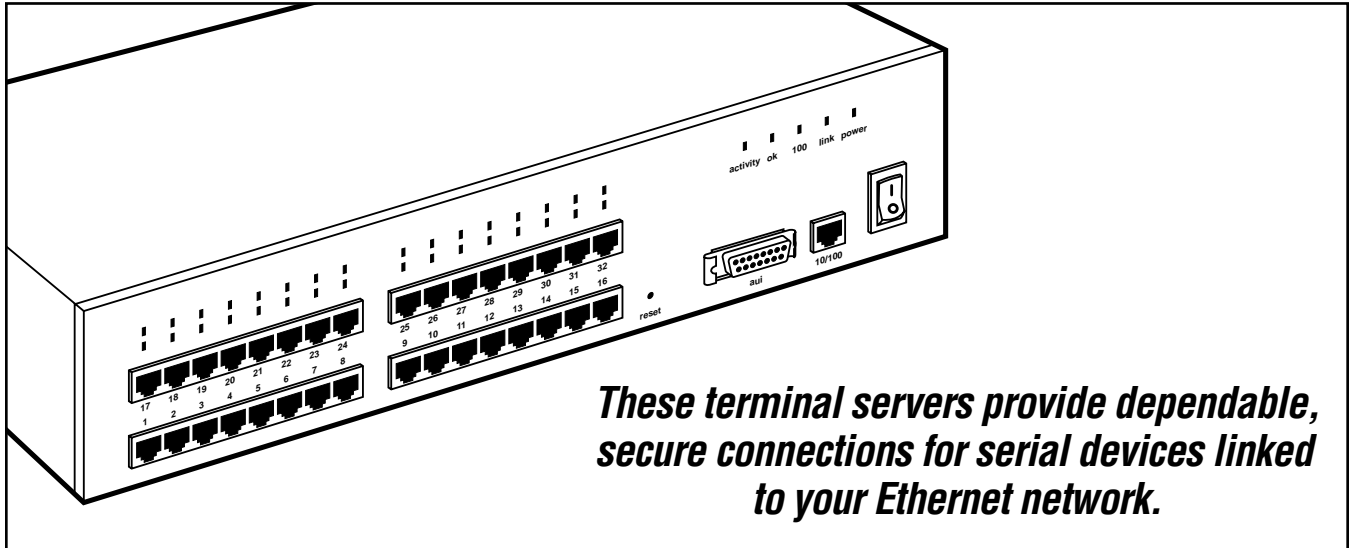
© 2004. All rights reserved.
Black Box Corporation.

BLACK BOX[®]

NETWORK SERVICES

Black Box Corporation • 1000 Park Drive • Lawrence, PA 15055-1018 • Tech Support: 724-746-5500 • www.blackbox.com • e-mail: info@blackbox.com

RACKMOUNT 10/100 SERIAL TERMINAL SERVERS



These terminal servers provide dependable, secure connections for serial devices linked to your Ethernet network.

Key Features

- ▶ **Extensive protocol support.**
- ▶ **Load balancing for improved response times.**
- ▶ **Small size for efficient space usage.**
- ▶ **Simple to configure, simple to use.**
- ▶ **Multiple management options.**
- ▶ **Full security features.**
- ▶ **Support for 128 sessions (16-port) or 256 sessions (32-port).**

The Rackmount 10/100 Serial Terminal Servers are an excellent way to link PCs, terminals, printers, modems, and other serial devices to Ethernet networks. They support simultaneous connections to each of their ports as well as one 10BASE-T link.

These terminal servers, by connecting each device directly to the network, conserve host ports and enable each terminal to access multiple hosts. Also, terminal cabling on the network is greatly simplified. For convenience, the 10BASE-T link can be made through the RJ-45 port or the BNC port.

Each port supports up to eight sessions—LAT, Rlogin, and Telnet™. This feature is augmented with a load-balancing mechanism through which the unit chooses the least busy connection for each session. The

result is better overall response time and balanced terminal usage.

Configuration is simplified through EZWebCon, a software package included with the terminal server. You can also enter command lines from a serial port connection, or you can log in via NetWare®, LAT, or NCP/TSM. You can also download standard configuration files from TCP/IP, LAT, or NetWare hosts during startup.

Once configuration is complete, operating the units is easy. In local mode, each supports command line editing, command line recall, and command completion. The operating code is downloaded automatically at start up, and the Flash-ROM units provide permanent storage for operating software. For upgrades, simply download the newest version.

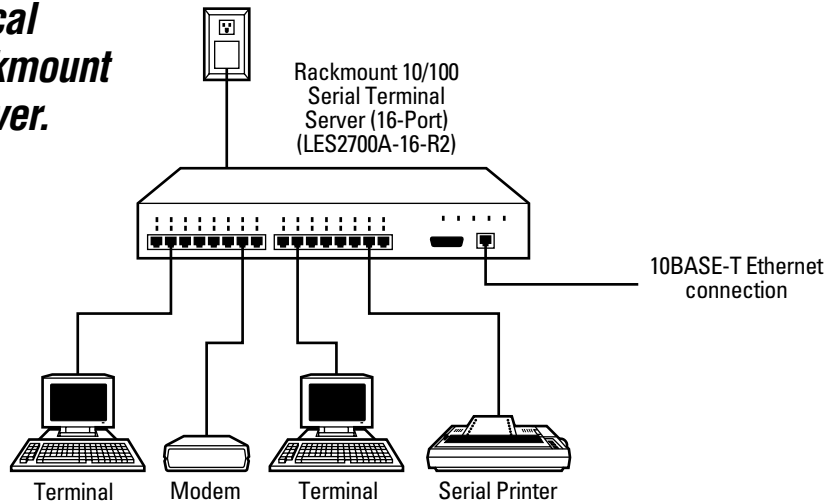
If you run into trouble, an extensive context-sensitive help menu is available. For general help, simply type "HELP." For help on a particular command, type "HELP command." You can also place a question mark at the end of a full or partial command line for help at that specific point.

The units support industry-standard protocols, including:

- AppleTalk®: Enables Macintosh® computers on the network to access attached devices.
- LAN Manager: Enables attached devices to access network printers. Supports OS/2® and Windows NT®.
- Local Area Transport: Supports almost all digital systems as well as remote logins and host-initiated print spooling.

(continued on page 2)

This diagram shows a typical application for the 16-Port Rackmount 10/100 Serial Terminal Server.



(continued from page 1)

- **NetWare:** Works with Ethernet v2, Native Mode (802.3), 802.2, 802.2 SNAP, Bindery mode, and NetWare Directory Service (NDS).
- **TCP/IP and UNIX®:** Works with DNS, Rlogin, and Telnet as well as LPR and RTEL printing systems.

The terminal servers boast strong security features. They use group codes, which limit users' access to manager-chosen services or devices. At the port level, users are logged out automatically as soon as a port is disconnected or a device turned off. Other standard features

include user-defined password protection (by port), IP security tables, dialback capabilities, and a menu mode that enables managers to impose command restrictions based on a user's security level.

Remote configuration is possible through a variety of methods: digital login, Telnet, and the included EZCon configuration software, which supports logins through TCP/IP, LAT, NetWare, Windows®, UNIX, and AppleTalk. The 10/100 Serial Terminal Servers also support SNMP.

NOTE: No enterprise-specific MIBs are supplied with the unit.

Specifications

Approvals: FCC, UL®, CSA, TUV, CE

Compatibility: Ethernet: IEEE 802.3, IEEE 802.3u

Data Rates: 300 bps to 230 kbps

Flow Control: X-ON/X-OFF, hardware flow control

Heat Dissipation:
LES2700A-16-R2: 30 watts;
LES2700A-32-R3: 40 watts

Management: DHCP, HTTP, serial console port, SNMP, Telnet™

Modem Control: DSR/DTR and RTS/CTS

Protocols: AppleTalk®, DHCP, IPX™, LAT (optional), SNMP, TCP/IP, NetBIOS/NetBEUI, Telnet, TFTP

Serial Line Formats:
Characters: 7 or 8 data bits;
Stop bits: 1 or 2;
Parity: Odd, even, mark space, or none

Sessions (TCP/IP and LAT):
LES2700A-16-R2: 128;
LES2700A-32-R3: 256

Software: Flash ROM standard: downloadable from TCP/IP host (TFTP download), DECnet host (MOP download), or NetWare® file server

Connectors: Serial: (16) or (32) RJ-45;
Network: (1) RJ-45, (1) BNC, (1) AUI

Indicators: Power, Link, Unit OK, Speed, Network Activity, Serial Port Activity

Operating Temperature: 41 to 122°F (5 to 50°C)

Storage Temperature: -40 to +151°F (-40 to +66°C)

Power: 95–250 VAC, internal; Consumption: 30 watts

Size: LES2700A-16-R2:
1.75"H x 17"W x 12"D
(4.4 x 43.2 x 30.5 cm);
LES2700A-32-R3:
3.5" x 17"W x 12"D
(8.9 x 43.2 x 30.5 cm)

Weight:
LES2700A-16-R2: 5.2 lb. (2.4 kg);
LES2700A-32-R3: 8 lb. (3.6 kg)

You may also need . . .

- Serial cables and adapters
- AC power and data line surge protectors
- Ethernet cables

Ordering Information

ITEM	CODE
Rackmount 10/100 Serial Terminal Servers	
16-Port.....	LES2700A-16-R2
32-Port.....	LES2700A-32-R3
<i>You may also need...</i>	
LAT Software Upgrade	
16-Port.....	LES2700A-16LAT
32-Port.....	LES2700A-32LAT