

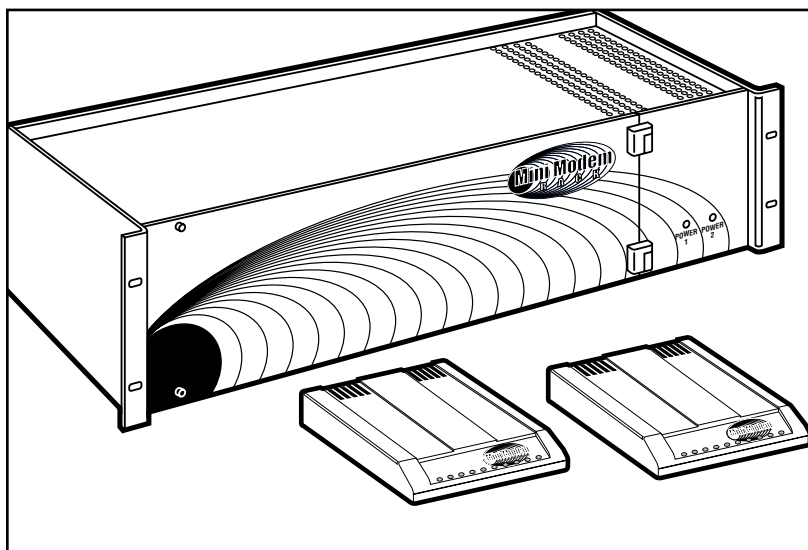
© 2004. All rights reserved.  
Black Box Corporation.

# BLACK BOX<sup>®</sup>

## NETWORK SERVICES

Black Box Corporation • 1000 Park Drive • Lawrence, PA 15055-1018 • Tech Support: 724-746-5500 • [www.blackbox.com](http://www.blackbox.com) • e-mail: [info@blackbox.com](mailto:info@blackbox.com)

## MINI-MODEMS



*These Mini-Modems offer a full range of datacomm, fax, and software features.*

### Key Features

- ▶ **Fully AT command compatible.**
- ▶ **Offers a variety of negotiation and dialing features.**
- ▶ **Non-volatile memory saves modem settings if the power fails.**
- ▶ **Includes Windows based data and fax communication software.**
- ▶ **Second RJ-11 connector for telephone pass-through.**
- ▶ **Use alone or rackmount up to 12 Mini-Modems.**

If you have up to 12 individual devices to connect to personal computers, terminals, or on-line computer services (Internet) through a modem, use one Mini-Modem for each connection. To keep your office neat and tidy, install the modems in the Mini-Modem Rack (part number RM1601A). It includes a redundant power supply, so if primary power goes down, data and file transfer are not compromised.

While rackmounting the modems is perfect for larger applications, the Mini-Modems can also be used alone. They are available in three models that conform to three different standards. Choose V.34+, V.90, or V.92.

When deciding which Mini-Modems to order, consider how

often you use your connection and how important it is to you to download files quickly.

Get the fastest download speeds from the V.90 or V.92 models. Both download data at speeds up to 56 kbps. (Keep in mind that although these modems are capable of 56-kbps downloads, FCC regulations limit download speeds to 53 kbps.) Both of these modems offer enhanced V.34 speeds from client to client and Caller ID reporting. Dialing features include 4-number storage for automatic or DTR dialing, redial, repeat dial, dial linking, pulse or tone dialing, and dial pauses.

If you're on a strict budget, choose the Mini-Modem 33.6-kbps (MD1621A). It includes enhanced V.34 (33.6-kbps) speeds without Caller ID reporting or

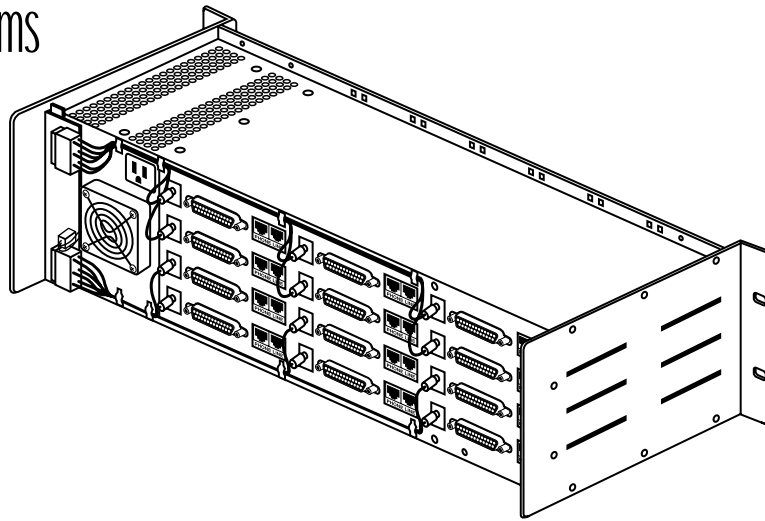
Flash memory. It supports download rates up to 33.6 kbps. Configure this modem remotely. It also responds to Class 1 or Class 2 fax commands.

The Mini-Modems include integral fax. With the V.34+ and V.90 models, you get a V.17 (14.4-kbps) fax. For even faster fax speeds, the V.92 model provides a 33.6-kbps fax.

All the modems have nonvolatile memory that saves modem settings if the power fails, as well as telephone-number storage for automatic dialing and Flash memory for firmware upgrades.

Supported operating systems include all versions of Windows (Windows 3.1x/95/98/Me/XP/2000, and Windows NT), as well as Linux and SCO OpenServer.

# Install up to 12 Mini-Modems in the Mini-Modem Rack.



## Specifications

### Compression:

MD1620A–MD1621A: V.42 bis,  
MNP® 5;  
MD1626A: V.44, V.42 bis, MNP 5

### Error Correction:

MD1620A–MD1621A: V.42,  
MNP 3–4;  
MD1626A: V.42

### Fax Standards:

MD1620A–MD1621A: V.17,  
Group III;  
MD1626A: V.34, Class 2.1 and  
Class 1.0 commands; V.17 and  
Group III, Class 1 and Class 2  
commands

### Line Type:

MD1620A–MD1621A: 2-wire  
dialup;  
MD1626A: 2-wire dialup or  
leased

### Modem Standards:

MD1620A: V.90, V.34+, V.34,  
V.32 bis, V.32, V.22 bis;  
Bell 212A and 103;  
MD1621A: V.34+, MNP 3–4;  
MD1626A: V.92, V.90, V.34+

### Operating Systems Supported:

Windows® 3.1x/95/98/Me/XP/  
2000, Windows NT®, Linux®,  
SCO® OpenServer

### Operation:

Asynchronous  
**Speed (Maximum):** Uploads:  
MD1620A–MD1621A:  
33.6 kbps;  
MD1626A: 48 kbps;  
Downloads: MD1620A, MD1626A:  
56 kbps;  
MD1621A: 33.6 kbps;  
Fax: MD1620A–MD1621A:  
14.4 kbps;  
MD1626A: 33.6 kbps

### Interface:

RS-232  
**Connectors:** (1) DB25 F, (2) RJ-11

### Power:

MD1620A–MD1621A:  
115 VAC, 60 Hz;  
MD1626A: 110–240 VAC,  
47–63 Hz, 9 VDC

**Size:** MD1620A–MD1621A,  
MD1626A: 1"H x 4.3"W x 5.6"D  
(2.5 x 10.9 x 14.2 cm);  
RM1601A: 5.3"H x 19"W x 7.8"D  
(13.5 x 48.3 x 19.8 cm)

### Weight:

MD1620A–MD1621A,  
MD1626A: 0.5 lb. (0.2 kg);  
RM1601A: 8 lb. (3.6 kg)

## What's Included

### Mini-Modem

- (1) Mini-Modem
- (1) DC power-supply module
- (1) RJ-11 telephone cable
- (1) CD-ROM containing communications software
- (4) plastic feet
- (1) users' manual

### Mini-Modem Rack

- (1) Mini-Modem Rack
- (1) power supply
- (1) users' manual

## Ordering Information

ITEM	CODE
Mini-Modems	
56-kbps V.90 .....	MD1620A
33.6-kbps V.34+ .....	MD1621A
56-kbps V.92 .....	MD1626A
<i>To rackmount up to 12 Mini-Modems, order...</i>	
Mini-Modem Rack.....	RM1601A