



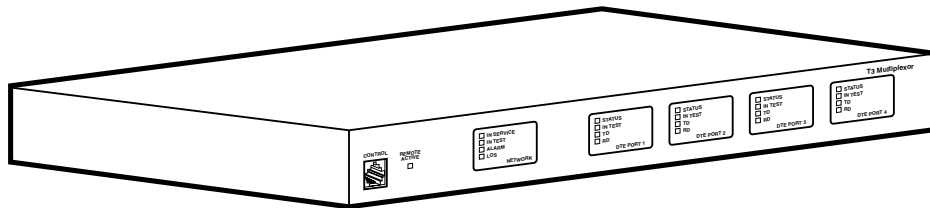
© 2005. All rights reserved.  
Black Box Corporation.

# BLACK BOX<sup>®</sup>

## NETWORK SERVICES

Black Box Corporation • 1000 Park Drive • Lawrence, PA 15055-1018 • Tech Support: 724-746-5500 • [www.blackbox.com](http://www.blackbox.com) • e-mail: [info@blackbox.com](mailto:info@blackbox.com)

## T3 MULTIPLEXOR



***Super-fast T3 throughput plus an economical migration path from T1.***

### Key Features

- ▶ **Share one T3 line among four user DTE data ports.**
- ▶ **Comes with one HSSI (High-Speed Serial Interface).**
- ▶ **Add up to three hot-swappable HSSI and/or V.35 ports.**
- ▶ **Automatic or remote configuration.**
- ▶ **Embedded SNMP and Telnet management via 10BASE-T or SLIP/PPP.**
- ▶ **Provides detailed performance monitoring of local and remote units.**
- ▶ **Easy to use menu-driven interface.**

This full-featured multiport T3 CSU/DSU offers multiplexor design for cost-effective T3 line sharing, enabling you to share the cost of a T3 line among multiple applications. The T3 Multiplexor maximizes your use of T3 service by providing up to four high-speed DTE data ports capable of transmitting and receiving high-capacity real-time data. The multiplexor comes with one HSSI interface already installed. You can add a mixture of up to three more HSSI and/or V.35 modules.

#### Speed!

The T3 Multiplexor is designed to maximize bandwidth and speed. T3 provides up to 28 times more throughput than a single T1 line for your expanding WAN or Internet backbones. High-speed HSSI interfaces support rates

between 75 kbps and 44.2 Mbps in 75 kbps increments. The V.35 interface option supports rates up to 10.5 Mbps in increments of 75 kbps.

#### Versatility!

Migrate from fast T1 services to super-fast T3 services and split the cost of the line among four data ports and multiple applications.

Don't worry about compatibility—HSSI and V.35 interfaces provide compatibility with the vast majority of T3 DTE applications.

#### Easy Configuration!

With automatic or manual remote configuration, you can optimize bandwidth use for the time of day—more bandwidth for peak hours, less for off hours.

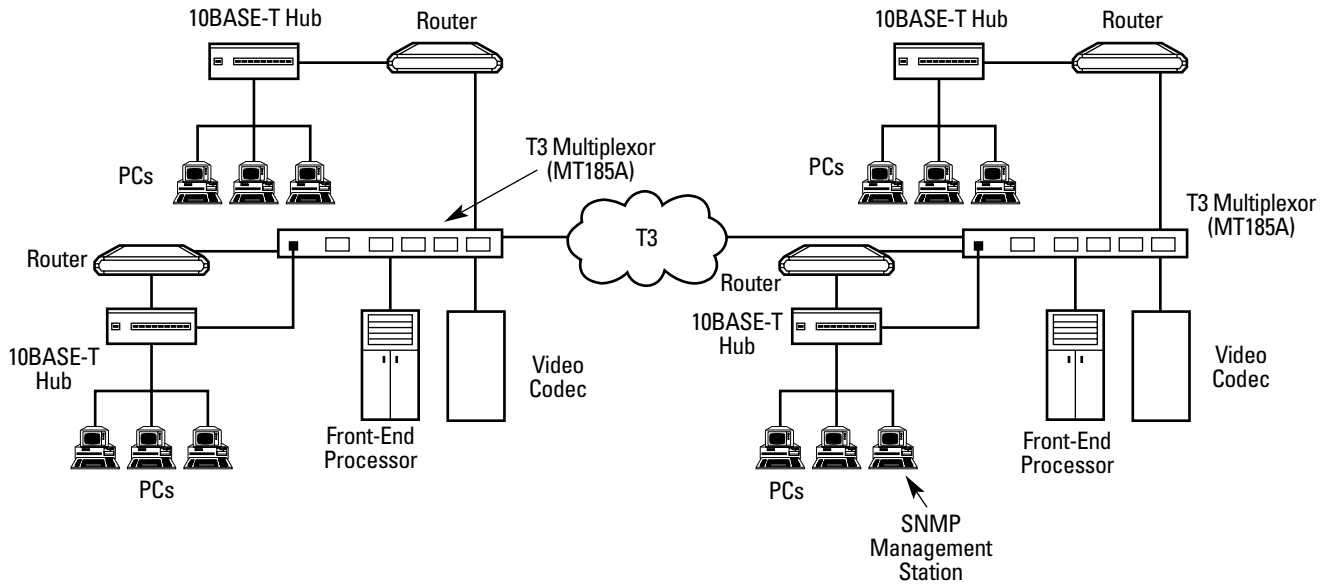
#### Complete Management!

Manage the T3 Multiplexor from a remote PC by means of embedded SNMP (simple network management protocol) and Telnet. The remote-management PC can be connected through either SLIP/PPP or a 10BASE-T Ethernet port.

Complete configuration, diagnostics, and performance monitoring are available through embedded SNMP, Telnet™, or a VT100™ terminal interface by means of any standard network management program such as OpenView™, Netview™, or Spectrum™.

LEDs indicate the status of the network connection and all four ports. And detailed diagnostics down to the port level help isolate network problems from DTE problems.

# Share the cost of a T3 line between multiple applications.



## Specifications

**Agency Approvals** — FCC Part 15, Class A, UL and CUL

**Clocking** — Loop (slaved to network received clock); Local (private network master)

**Diagnostics** — DS3 Network: ANSI T1.107 compatible loopbacks; Line, payload and line with BERT loopbacks;

DTE Ports: network, local DTE, and remote DTE with BERT loopbacks;

HSSI only: DTE device loopback

**Framing Format** — M13 and C-bit parity

**SNMP/Telnet** — Via SLIP, PPP or 10BASE-T: MIB II, RFC 1213 & 1407 compliant; Optional MIB for extended monitoring and DSU control/configuration (contact Technical Support).

**Speed** — V.35 ports: 75 kbps to 10.5 Mbps; HSSI ports: 75 kbps to 44.2 Mbps

**Interface** — Network: ClearChannel™, non-channelized DS3; DTE: (1) integrated HSSI port, optional V.35 modules; VT100 Terminal: 8-pin modular, RS-232 (DB25) adapter provided

**Connectors** — Alarm Connector: (1) 3-screw terminal block; Auxiliary: (1) RJ-45, rear; Control: (1) RJ-45, front; HSSI: (1) SCSI-2 50-pin female; LAN: (1) 8-pin RJ-45 modular; DS3: (2) BNC coax, female; Modules: V.35: (1) M34; HSSI: (1) SCSI-2 50-pin female

**Indicators** — LEDs: (1) Remote active; Network port: In Service, In Test, Alarm, LOS; DTE ports, (1) per port: Status, In Test, TX, RX

**Temperature Tolerance** — Operating: 32 to 122°F (0 to 50°C); Storage: -4 to +158°F (-20 to +70°C)

**Humidity Tolerance** — Up to 95%, non-condensing

**Power** — 120 VAC, 9W

**Size** — 1.7"H x 17"W x 11.6"D (4.3 x 43.2 x 29.5 cm)

**Weight** — 7 lb. (3.2 kg)

## Ordering Information

ITEM	CODE
T3 Multiplexor, 4-Port .....	MT185A
◆ Includes (1) RJ-45 modular cable, (1) RJ-45 modular to DB25 female adapter, and mounting ears for rack installation.	
<b>Modules</b>	
V.35 .....	MT186C
HSSI .....	MT187C
<i>You might also need cable...</i>	
V.35 Interface Cable, Male/Male,	
6-ft. (1.8-m) .....	EYN450-0006-MM
Coax Cable, RG59 PVC, 6-ft. (1.8-m) .....	ETN59-0006-BNC