



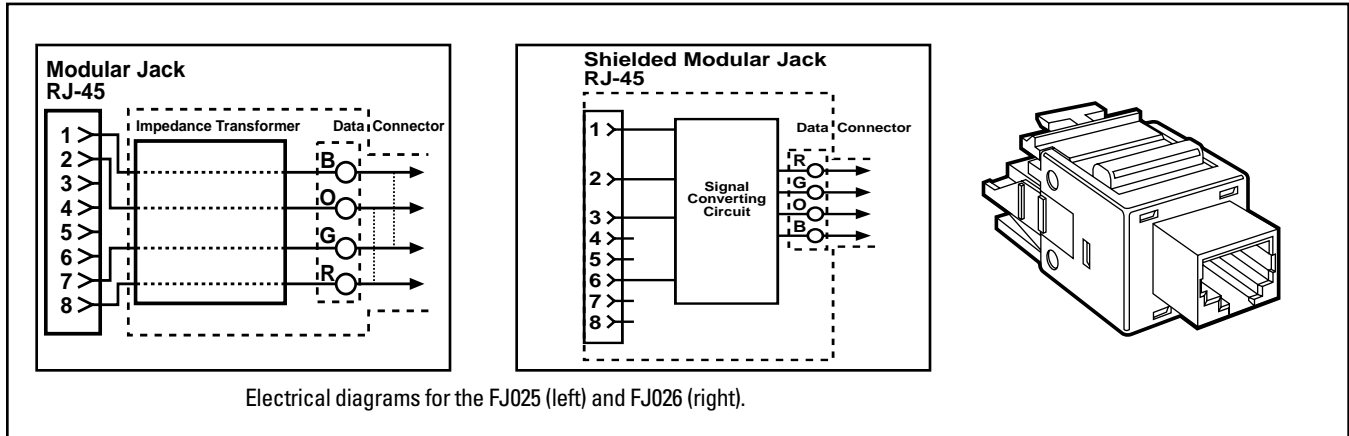
# BLACK BOX<sup>®</sup>

## NETWORK SERVICES

© 2003. All rights reserved.  
Black Box Corporation.

Black Box Corporation • 1000 Park Drive • Lawrence, PA 15055-1018 • Tech Support: 724-746-5500 • www.blackbox.com • e-mail: info@blackbox.com

## 10/100BASE-TX AND ATM BALUNS



### Key Features

- ▶ **Connect ATM or 100BASE-TX hubs and adapter cards with RJ-45 ports to a Type 1 or Type 6 IBM<sup>®</sup> system.**
- ▶ **Save money! There's no need to upgrade to twisted-pair, RJ-45 cabling.**
- ▶ **Less than -40 dB crosstalk at 100 MHz.**
- ▶ **Match impedances between 100-ohm RJ-45 terminated cable and 150-ohm STP cable.**

### Ordering Information

ITEM	CODE
10/100BASE-TX Baluns	
STP .....	FJ023
UTP .....	FJ024
ATM Baluns	
UTP .....	FJ025
STP .....	FJ026

## Why Buy From Black Box? Exceptional Value. Exceptional Tech Support. Period.

#### Recognize these situations?

- You wait more than 30 minutes to get through to a vendor's tech support.
- The so-called "tech" can't help you or gives you the wrong answer.
- You don't have a purchase order number and the tech refuses to help you.

- It's 9 p.m. and you need help, but your vendor's tech support line is closed.

According to a survey by Data Communications magazine, 90% of network managers surveyed say that getting the technical support they need is extremely

important when choosing a vendor. But even though network managers pay 10 to 20% of their overall purchase price for a basic service and support contract, what they receive falls short of expectations—and certainly isn't worth what they paid.

At Black Box, we guarantee the best value and support. You can even consult our experts before you buy if you need help selecting the right component for your application.

