

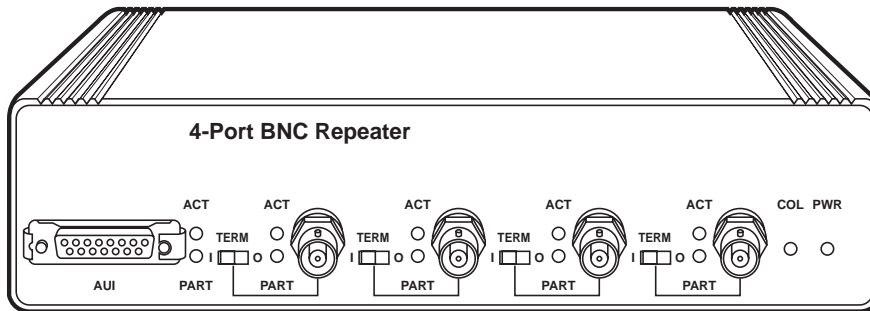


© Copyright 1997. All rights reserved.
Black Box Corporation.

BLACK BOX[®]

The World's Source for ConnectivitySM

4-Port BNC Repeater



*Our compact, low-cost
ThinNet workgroup
repeater.*

Key Features

- ▶ Ethernet/IEEE 802.3, 10BASE2 and 10BASE5 compliant.
- ▶ Connects Thicknet and ThinNet segments on one unit.
- ▶ User-selectable port termination.
- ▶ Provides internal network-management functions.
- ▶ Preamble regeneration, signal retiming/restoration, extension of fragmented packets, and automatic partitioning/re-enable.

Overview

The 4-Port BNC Repeater is a compact, low-cost 4-port ThinNet Repeater that is fully compliant with Ethernet/IEEE 802.3 standards. The small size of this repeater makes it particularly well-suited for PC workgroups. All of the ports are functionally equivalent and can be used for the direct connection of the devices with Ethernet interfaces.

Each BNC port has switch-selectable 50-ohm termination that eliminates the need for an external T-connector and allows for a star hub configuration. The per-port LED display indicates activity and partition status for individual segment monitoring.

The AUI port offers additional interfacing capability. Accompanying

LEDs indicate activity of a DCE device via this port plus the enabling of automatic partitioning.

The internal network-management functions constantly monitor each port for signal quality and will automatically disconnect a device that produces noise or excessive collisions. The device will automatically be reconnected when the error condition is cleared.

The integrity and signal quality of the connected segments are also actively monitored internally. Whenever a collision is detected on a port, the repeater generates a 96-bit jam packet which is subsequently transmitted to all other ports on the segment.

The repeater completely retimes and restores the full-

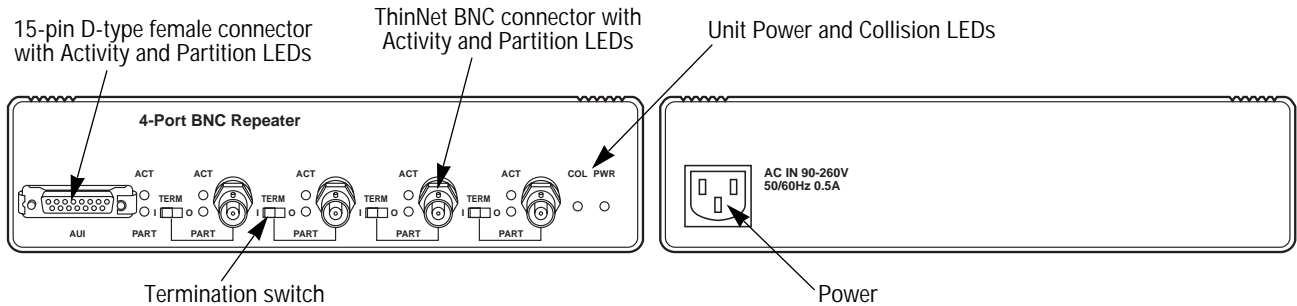
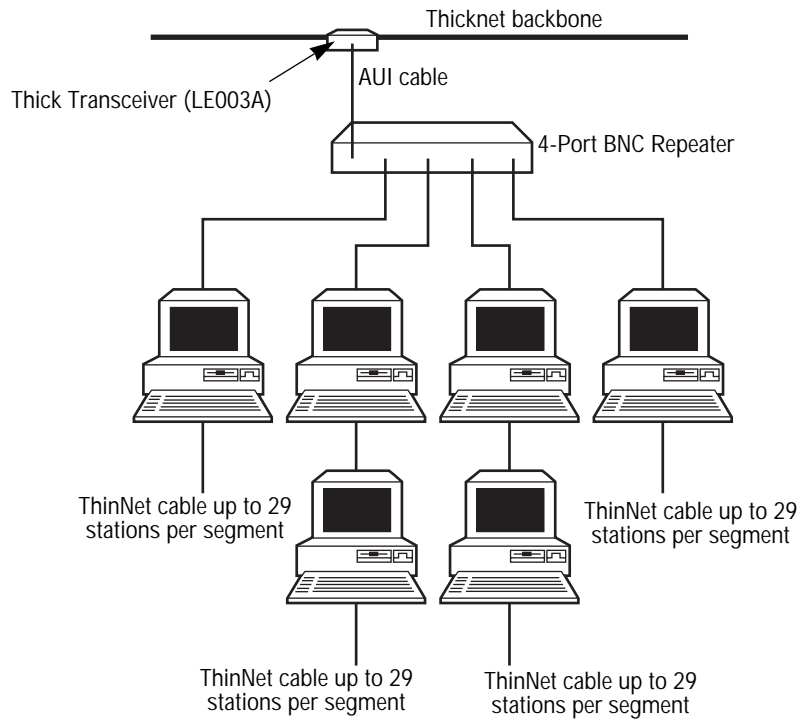
amplitude wave form for each retransmitted packet. A full-length preamble is also generated. This ensures packet integrity across the total network.

Packets which exceed the maximum legal length for Ethernet/IEEE 802.3 packets are automatically truncated. This prevents a device from blocking the network by transmitting a continuous data stream or extra-long packet.

The small size, low power consumption, elimination of moving parts, and environmental constraints permits the unit to be installed in a normal office environment. The unit is self-configuring, and no installation tools are required.

The diagram to the right shows the 4-Port BNC Repeater in a typical application.

The illustration below identifies the Repeater's components.



Specifications	Approvals — UL*, cUL, CE, VCCI, FCC Class A
Maximum Segment Length — ThinNet (BNC): 607 feet (185 meters); Thicknet (AUI): 164 feet (50 meters)	MTBF — 156,258 hours
Connectors — ThinNet (BNC): Four BNC receptacles for use with RG-58 ThinNet cable; Thicknet (AUI): One 15-pin D-type female connector with slide latch	Operating Temperature — 32 to 131°F (0 to 55°C)
LED Indicators — (1) Power, (1) Collision, (4) Activity, (4) Partition	Storage Temperature — -4 to +158°F (-20 to +70°F)
	Relative Humidity Tolerance — 5 to 90%, noncondensing
	Power — 20W maximum, 90-250 VAC, 50-60 Hz
	Size — 1.7"H x 6.7"W x 8.9"D (4.3 x 17 x 22.6 cm)
	Weight — 3 lb. (1.4 kg)

For these and other components...

Call our expert Technical Support Staff for all your LAN needs. They'll help you find the best equipment for your application.

Ordering Information

This information will help you place your order quickly.

PRODUCT NAME	ORDER CODE
4-Port BNC Repeater	LE8003A