

## Intelligent Printer Switch (Parallel)

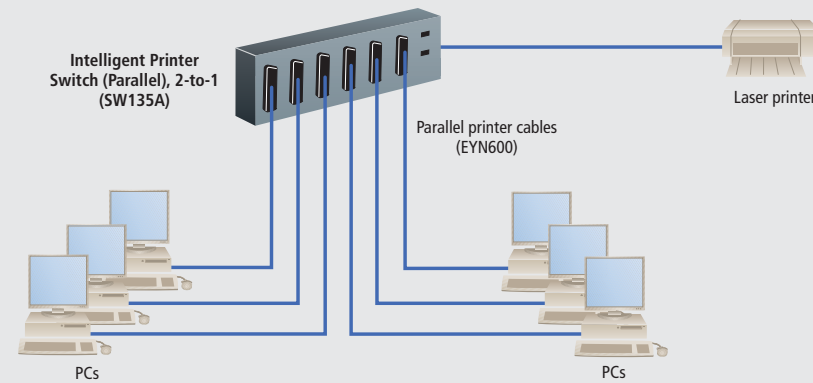


**Now six PCs can share a laser printer—automatically—  
without compromising speed.**

## FEATURES

- Fully automatic—no need for software.
- Supports 75,000 cps (characters per second).
- Provides speedy graphics printing.
- Works with all known PC software, including Windows® 95/98/Me/XP, Windows 2000, and Windows NT®.

## Typical application



## OVERVIEW

The Intelligent Printer Switch (Parallel) uses no software, so you feel as if you're connected directly to your own dedicated printer—even though you're sharing one. Link up to six PCs to a single printer. Printing operates on a first-come, first-served basis.

Thanks to Interface Matching Technology, the switch supports speeds of up to 75,000 cps. Graphics-heavy applications print faster, freeing your PC so you can move on to other tasks.

The switch is compatible with all known PC software. It uses standard cables, so you can keep using the cable you already own. And to minimize the need for cable boosters, the switch supports extended cable lengths. You can put a distance of up to 300 feet (91.4 m) between the switch and your printer and up to 30 feet (9.1 m) between each of your PCs/switches.

The switch also has variable timeout settings and an end-of-job form-feed option.

## TECH SPECS

**Compatibility** — Hardware: All devices with Centronics® compatible interfaces;

Software: All known PC software, including Windows 95/98/Me/XP, Windows 2000, Windows NT, and graphics

**Distance (Maximum)** — Between the switch and the printer: 300 ft. (91.4 m);

Between PCs/switches: 30 ft. (9.1 m)

**Selectable Options** — 8, 16, 60, or 120 seconds; Form feed on change of user; Self-test/cable test

**Speed** — 75,000 characters per second (cps)

**Connectors** — SW135A: Input: (2) 36-pin Centronics,

Output: (1) DB25 female;

SW136A: Input: (4) 36-pin Centronics,

Output: (1) DB25 female;

SW137A: Input: (6) 36-pin Centronics,

Output: (1) DB25 female

**Indicators** — (2) LEDs: Power and Status

**Power** — 115-VAC to 5-VDC wallmount transformer (supplied)

**Size** — 3.7"H x 9"W x 1.4"D (9.4 x 22.9 x 3.6 cm)

**Weight** — 1 lb. (0.5 kg)

## WHAT'S INCLUDED

- ◆ Intelligent Printer Switch (Parallel)
- ◆ 115-VAC to 5-VDC wallmount power transformer
- ◆ User's manual

Item	Code
Intelligent Printer Switch (Parallel)	
2-to-1	<b>SW135A</b>
4-to-1	<b>SW136A</b>
6-to-1	<b>SW137A</b>

### You might also need cable...

Parallel Printer Cable, 10-ft. (3-m), Male/Male

**EYN600-0010-MM**

(For other lengths or genders, call our FREE Tech Support.)