

Ethernet to Twinax/Coax Print Server

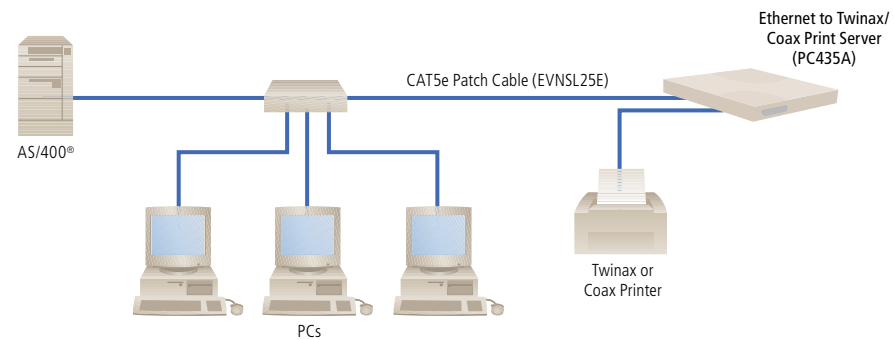
Now your legacy twinax or coax printers can join your Ethernet network.



FEATURES

- » Connects twinax or coax IPDS™, SCS, or SCS/DSC printers to an Ethernet network.
- » Works with laser printers, line printers, and dot-matrix printers.
- » Page range support and Form Alignment available.
- » Easy to set up. Configure it for local or remote use.
- » Autosenses 10- and 100-Mbps speeds.

Your twinax or coax system can make use of your Ethernet infrastructure.



OVERVIEW

The [Ethernet to Twinax/Coax Print Server](#) is designed to connect an IBM® or IBM compatible twinax or 3270 coax printer to an AS/400® or IBM mainframe across an Ethernet topology using SNA and TCP/IP protocols. It lets you retain your investment in expensive and still reliable twinax or 3270 coax printers when you convert from twinax or 3270 coax to Ethernet.

With the [Ethernet to Twinax/Coax Print Server](#), twinax or coax IPDS, SCS, or SCS/DSC system printers become available to virtually any host. PCs and other ASCII hosts (such as UNIX® servers, etc.) using Windows®, OS/2®, DOS, etc. can send text (non-rasterized) print jobs across your LAN to SCS twinax or SCS/DSC 3270-coax printers. This increases the value of your twinax or 3270-coax printers by allowing them to be used for more than just a host printer.

The attached printer can be a laser, dot-matrix, or line printer. All host systems can simultaneously communicate with the attached printer.

Page range support and Form Alignment for line printers and dot-matrix printers can be configured via AnyNet or SNA on an AS/400.

Line and dot-matrix printers configured via AnyNet™ or SNA on an AS/400 offer page range support and posting of the Form Alignment message. The Form Alignment feature is particularly valuable when printing on preprinted forms such as invoices.

What sets this print server apart from many others is its ease of use. By using its PrintControl Windows based utility, setup and configuration is straightforward and effortless. Once you've assigned an IP address to the [Ethernet to Twinax/Coax Print Server](#), you can configure it right from your desktop—whether it's attached locally or remotely.

Here are the steps you'll take to set up the print server :

- Install the print server itself.
- Install the PrintControl utility.
- Configure the print server for the host connection.
- Configure the print server for the attached twinax or 3270 coax printer.
- Configure the AS/400 or IBM mainframe.

The [Ethernet to Twinax/Coax Print Server](#) also autosenses 10BASE-T and 100BASE-T speeds and adapts automatically! Plus its flash memory enables you to download the latest enhancements to protect your investment in both your print server and your legacy system.



PC435A

Laser or Line/Dot-Matrix	3270 Coax	IPDS*	LAN RPC	Host	Connection	Data Stream
				OS/390 or MVS with PSF/MVS**	TCP/IP (PDR/PPD—Port 5001)	IPDS
		SCS/DSC (LU1/LU3)		OS/390, MVS with TN3270e Server***	TCP/IP (TN3270e)	SCS
				UNIX, AIX, Windows NT/2000, OS/390 w/RSCS or similar	TCP/IP (LPR/LPD)	Epson FX (text); IBM Proprinter text; Generic
				Windows 95/98	ICP/IP (I-O DirectPort™)	
				Novell NetWare	IPX/SPX (Remote Printer, Print Server) TCP/IP (LPR/LPD)	
5250 Twinax	IPDS	SCS	LAN RPC	OS/400 V3.1 (or newer) with PSF/400	TCP/IP (PDR/PPD—Port 5001)	IPDS
				OS/400	TCP/IP, TN5250e (Laser), AnyNet (Line/Dot-Matrix, Laser)	SCS
					SNA (APPC)	
				UNIX, AIX, Windows NT/2000, OS/390 w/RSCS or similar	TCP/IP (LPR/LPD)	Epson FX (text); IBM Proprinter text; Generic
				Windows 95/98	TCP/IP (I-O DirectPort™)	
					TCP/IP (LPR/LPD)	
				Novell NetWare	IPX/SPX (Remote Printer, Print Server)	

* Most coax IPDS printers can also operate in SCS/DSC mode.

** Requires PSF/MVS V. 2.2.0 with APR OW 15500, MVS Scheduler with APRA 0212236, and TCP/IP V3R1 or higher.

*** The I-O LAN RPC communicates via TN3270e. the TN3270e Server can be installed internally in MVS or OS/390 or as an external third-party product.

TECH SPECS

Compliance:

FCC: Part 15, Class A;
UL®: 8M28 E150854;
cUL: E1550854;
CE Approval: Yes

Host Systems: IBM AS/400 System,
IBM 3270-type mainframes, UNIX,
Windows, Novell

LAN Hosts Supported: IBM®
AS/400®, 3270-type mainframes;
Novell® NetWare®; UNIX®;
Windows® 95/98/Me, Windows
2000, Windows NT®

Printers Supported:
SCS: All 5250 SCS twinax and
3270 SCS/DSC coax printers;
IPDS: All 5250 and 3270 laser
printers; all 4224, 4230, and
4234 line/dot-matrix printers

Connectors:

Coax: (1) BNC for 3270 printer;
Ethernet: (1) RJ-45;
Twinax: (1) DB9 for 5250 printer
(DB9 to twinax autoterminating
"V" barrel connector included)

Indicators: LEDs: (1) Power;

(1) Line Sync; (1) LAN Data;
(1) Printer Activity;
(1) Printer Error;

Dual LEDs for mode of operation:

Off/Off = Normal Operation;
Off/On = EBCDIC Self Test;
On/Off = ASCII Self Test;
On/On = Diagnostic Dump

Operating Environment:

Temperature: 40 to 100°F
(4 to 38°C);
Humidity: 10 to 90%
noncondensing

Power: External power supply:

Input: 110–240 VAC, 47–63 Hz,
autosensing;

Output: 5 VDC, 3 amp

Size: 1.4"H x 8.4"W x 5.6"D
(3.6 x 21.3 x 14.2 cm)

Weight: 0.9 lb. (0.4 kg)

What's included

- (1) Print server
- (1) CD (manual and software)
- (1) Twinax "V" cable (DB9 female to two twinax female)
- (1) Power supply
- (1) Power cord

Item

Ethernet to Twinax/Coax Print Server

Code

PC435A

You may also need...

CAT5e Patch Cable with Molded Boots,
100-MHz, 4-Pair, Straight-Pinned, PVC, Beige,
10-ft. (3-m)

EVNSL25E-0010